

## LC-101 Tank Level Indicator

Bar Graph & Digital Display

### Features

**Designed specifically for use with tanks !**

**Functional interface for any level sensor or transducer utilizing a 4-20mA output.**



- Easy to read display
- Three analog inputs allow density & pressure compensation
- Displays tank contents in depth, weight & volume
- Programmable alarms & control points
- SCADA interface with MODBUS connectivity
- Self diagnostic, alarms on equipment failure
- 10 point tank table
- English & Metric capabilities
- Digital repeater for the Levelcom LC-100
- Optional Metritape sensor capability

***Engineered to provide a versatile, dependable and accurate display for use in all sizes and shapes of tanks.***

The LC-101 is specifically designed work with any level sensor or pressure transducer with a 4-20mA output. Data from the transmitter is displayed on a large, easy to read 40 segment bar graph and a 6 character digital display. The LC-101 comes with four (4) programmable set points for control or alarm functions.

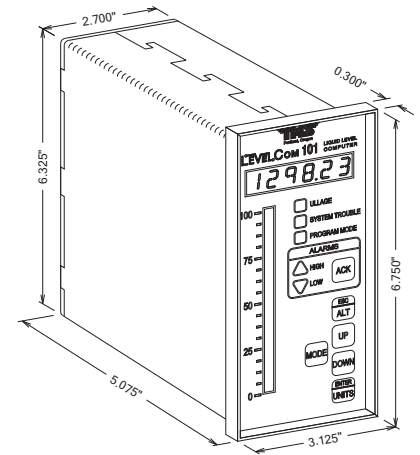
The LC-101 calculates and displays desired units of measure, (depth, volume or weight) on the digital display and as a range of 0 to 100% on the bar graph. All values, tank tables and alarm set points can be displayed in English / Metric units.



# LevelCom LC-101 Tank Level Indicator

## FEATURES

- Small footprint
- Robust proven design
- Eliminates Guesswork
- Accurate Real Time measurement
- Can be panel mounted and ganged in multiples
- Long Service Life
- Easy Installation



## SPECIFICATIONS

**Display:** 6 character digital display, 40 segment bar-graph

**Output:** 2 - SPDT 5A Relays; 1SPST 5A Relay

**Inputs:** 3 - Analog 4-20mA ADC current inputs, Source 24 VDC, sink 12 to 42 VDC, Impedance 200 Ohms

**Alarm Set points:** 4 - programmable set points

**Control Set points:** 4 - programmable set points

**Communications:** RS422/485

**Power:** 120 VAC 0.1A 50/60 Hz Standard (220 VAC & 24 VDC optional)

**Temp Range:** -10 F to + 140 F

**Humidity:** 5 - 95% RH non condensing

**Security:** User Defined 1-6 digit password protection

**Software Protocol:** Modbus

**Enclosure:** NEMA 4 front (when used with gasket) Membrane face and keypad brushed aluminum case with powder coated bezel



Technical Marine Service  
6040 N. Cutter Circle,  
Suite 302  
Portland, OR 97217

P: 503-285-8947  
F: 503-285-1379  
E: info@tms-usa.com  
www.levelcom.net  
www.tms-usa.com

© 2010 TMS, Order Item #LC101-10

*Authorized Integrator*