

## LC-101 Tank Level Indicator

Bar Graph & Digital Display

### Features

**Designed specifically for tank use as a functional interface for any level sensor or transducer utilizing a 4-20mA output**



- Easy to read display
- Three analog inputs allow density and pressure compensation
- Displays tank contents in depth, weight and volume
- Programmable alarms and control points
- SCADA interface with MODBUS connectivity
- Self diagnostic, alarms on equipment failure
- 10 point tank table
- English and Metric capabilities
- Digital repeater for the Levelcom LC-100
- Optional Metritape sensor capability

***Engineered to provide a versatile, dependable and accurate display for transmitters in all sizes and shapes of tanks.***

The LC-101 is specifically designed work with any level sensor or pressure transducer with a 4-20mA output. Data from the transmitter is displayed on a large, easy to read 40 segment bar graph and a 6 character digital display. The LC-101 comes with four (4) programmable set points for control or alarm functions.

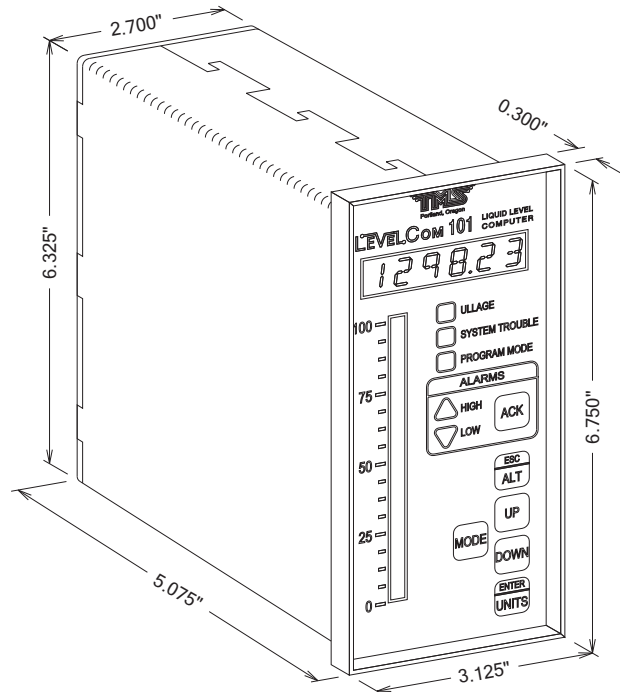
The LC-101 calculates and displays desired units of measure, (depth, volume or weight) on the digital display and as a range of 0 to 100% on the bar graph. All values, tank tables and alarm set points can be displayed in English / Metric units. .



# LevelCom LC-101 Tank Level Indicator

- Small footprint
- Robust proven design
- Eliminates Guesswork
- Can be panel mounted in console
- Can be ganged in multiples
- Easy Installation

Ask us about  pressure transducers



## SPECIFICATIONS

<b>Display</b>	6 character digital display, 40 segment bar-graph
<b>Output</b>	2 - SPDT 5A Relays; 1SPST 5A Relay
<b>Inputs</b>	3 - Analog 4-20mA ADC current inputs, Source 24 VDC, sink 12 to 42 VDC, Impedance 200 Ohms
<b>Alarm Set points</b>	4 - programmable set points
<b>Control Set points</b>	4 - programmable set points
<b>Communications</b>	RS422/485
<b>Power</b>	120 VAC 0.1A 50/60 Hz Standard (220 VAC & 24 VDC optional)
<b>Temp Range</b>	-10 F to + 140 F
<b>Humidity</b>	5 - 95% RH non condensing
<b>Security</b>	User Defined 1-6 digit password protection
<b>Software Protocol</b>	Modbus
<b>Enclosure</b>	NEMA 4 front (when used with gasket) Membrane face and keypad brushed aluminum case with powder coated bezel
<b>Approvals</b>	UL, ABS Type Approval



Technical Marine Service  
6040 N. Cutter Circle,  
Suite 302  
Portland, OR 97217

P: 503-285-8947

F: 503-285-1379

E: [info@tms-usa.com](mailto:info@tms-usa.com)

[www.levelcom.net](http://www.levelcom.net)

[www.tms-usa.com](http://www.tms-usa.com)

© 2010 TMS, Order Item #LC101-10